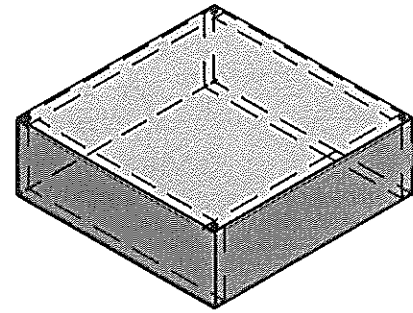
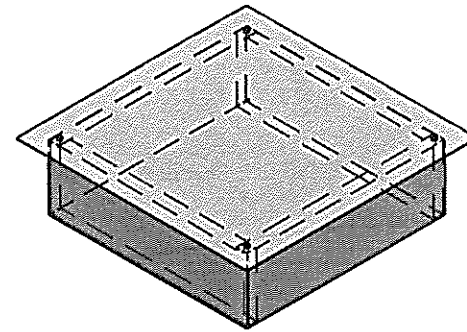


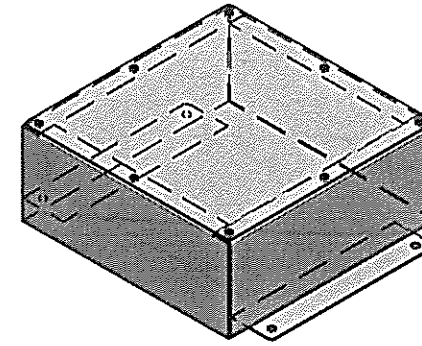
REVISION HISTORY			
REV	DESCRIPTION	DATE	APPROVED



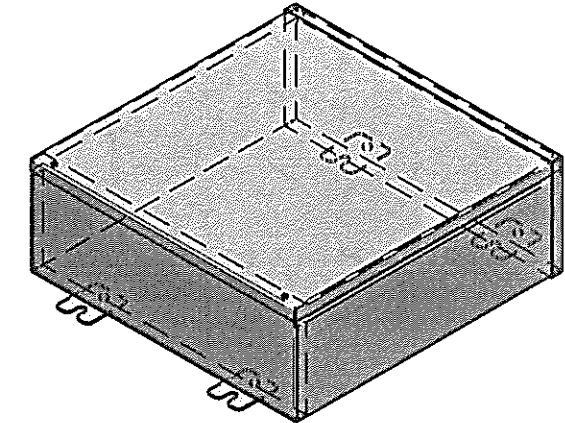
J & P BOX TYPE 1 (INDOOR USE)  
Spot-welded ends, non-gasketed cover.  
Surface mounted.



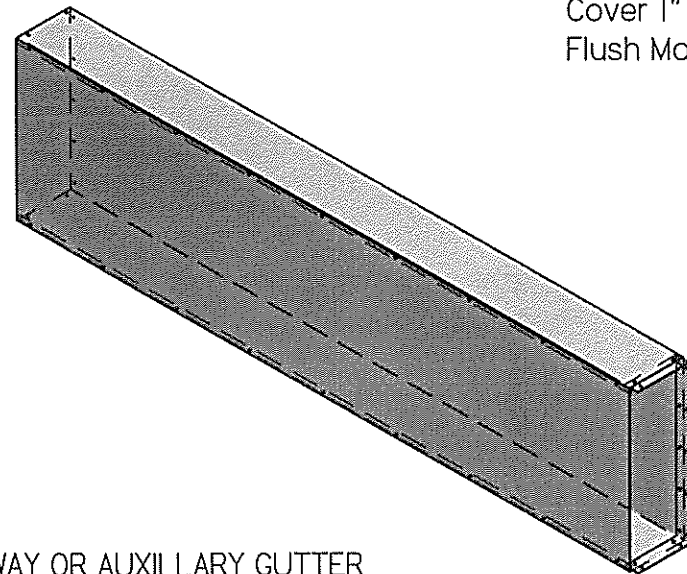
J & P BOX TYPE 1 (INDOOR USE)  
Spot-welded ends, non-gasketed cover.  
Cover 1" larger than box all four sides.  
Flush Mounted



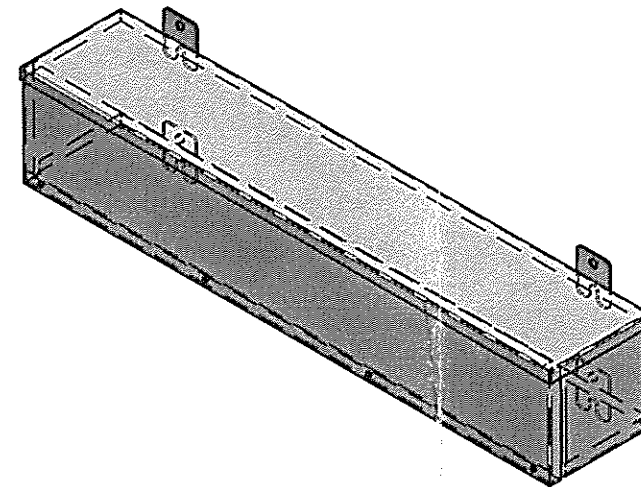
J & P BOX TYPE 4 (OUTDOOR USE)  
Welded ends, gasketed cover,  
external mounting feet. Surface Mounted.



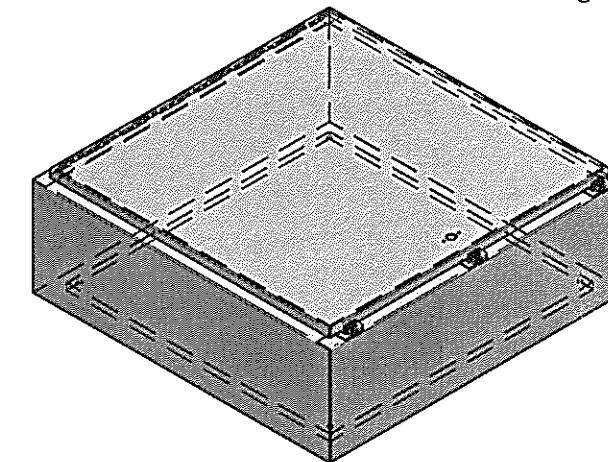
J & P BOX TYPE 3-R (RAINTIGHT)  
Spot-welded ends, non-gasketed cover,  
external mounting feet. Surface Mounted.



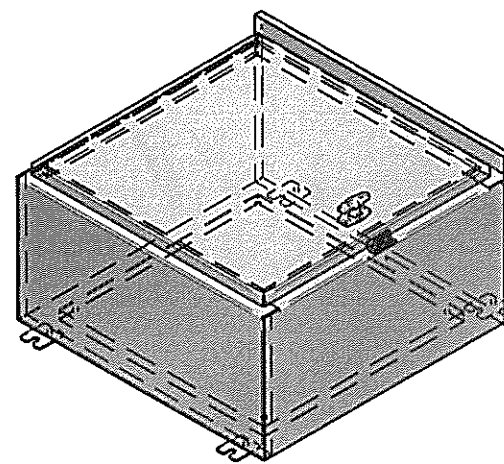
WIREWAY OR AUXILLARY GUTTER  
Ends spot-welded or screw fastened, non-gasketed covers.  
May be provided with connectors to attach sections together.  
Available surface mounted or flush mounted.



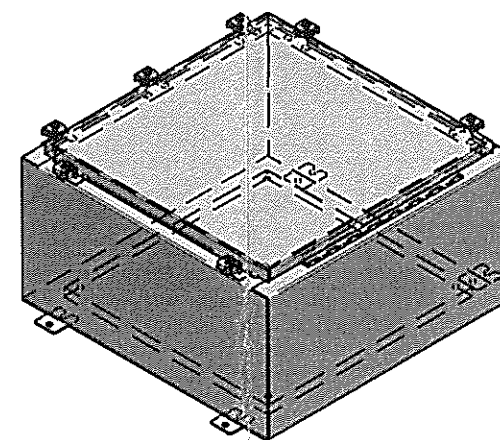
WIREWAY OR AUXILLARY GUTTER RAIN TIGHT  
Ends spot-welded, non-gasketed covers.  
External mounting feet, drain holes in bottom.



INDUSTRIAL CONTROL PANEL TYPE 12 (DRIP PROOF, DUST TIGHT)  
Hinged, gasketed cover, welded endcaps.  
May be provided with 3 point latch, or door clamps opposite  
hinge. External mounting feet. Optional backpanel and also  
available with double doors for larger enclosures.



INDUSTRIAL CONTROL PANEL TYPE 3R (RAINPROOF)  
Hinged, non-gasketed cover, spot-welded endcaps, rain cap.  
Single point latch, external mounting feet. Optional backpanel  
and also available with double doors for larger enclosures.



INDUSTRIAL CONTROL PANEL TYPE 4 (4X) (WATER TIGHT)  
Hinged, gasketed cover, welded endcaps.  
Door clamps on 3 sides. External mounting feet. Optional backpanel.

ALL ENCLOSURES AVAILABLE IN GALVANIZED STEEL, ALUMINUM OR  
STAINLESS STEEL.  
ENCLOSURES MAY BE POLYESTER POWDER COATED OR PAINTED TO  
YOUR SPECIFICATIONS.

DRAWN	NAME	DATE	S & S Metal and Plastics, Inc.	
CHECKED	actifon	02/16/10	TITLE	
ENG APPR			UL LISTED ENCLOSURES	
MGR APPR			SIZE	DWG NO
UNLESS OTHERWISE SPECIFIED DIMENSIONS ARE IN INCHES ANGLES =XX°			SCALE	WEIGHT
2 PL #XXX 3 PL #XXXX			FILE NAME: Standard Enclosures.dwg	SHEET 1 OF 1